

CERTIFICATE OF LOCATION OF GOVERNMENT CORNER

NORTHEAST Corner of Section 14, Township 108, Range 42, 5TH P.M.

STATE OF MINNESOTA, County of MURRAY

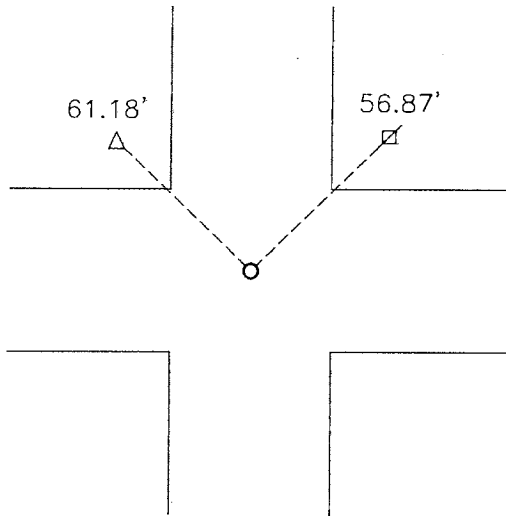
At the corner location shown on the sketch:

On _____ found a _____
DATE

left monument as found, lowered monument, removed monument (explain)

On 07-12-2010 placed a 1" PIPE WITH SEAL #43844
DATE

SKETCH OF REFERENCE TIES



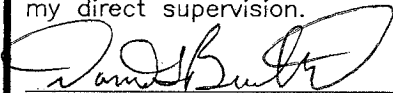
Minnesota State Plane Coordinate
System Murray County Datum
NAD83 (1996)

N: 216412.348
E: 479827.361

Nail and survey marker in utility pole NE 56.87'
Top center of telephone pedestal NW 61.18'

Statement of evidence relative to this corner location is on back of page.

I hereby certify that this document and the data contained herein was prepared by me or under my direct supervision.


SIGNATURE

1/12/11
DATE

Registration No. 43844

Land Surveyor, Professional Engineer
 County Surveyor, County Engineer

OFFICE OF THE COUNTY RECORDER
County of _____

I hereby certify that this document was filed in the Co. Recorders office at _____ .M on the _____ day of JAN 18 2011 A.D. 20 _____

County Recorder James V. Johnson
By _____, Deputy

DOCUMENT NO. _____

Statement of Evidence

In 1861, L.G.W. Fletcher did the original subdivision of the township.

In October, 1915, J.R. Johnston, the County Surveyor, found a stone at the corner.

On the Murray County Highway Department plans, the corner is shown as a field stone.

On July 12, 2010, Bueltel-Moseng Land Surveying set a 1" pipe with seal #43844 using the occupation lines. The corner is in the center of the intersection of the roads. Did not dig at the request of the Murray County Highway Department because there is a tile in the center of the road.